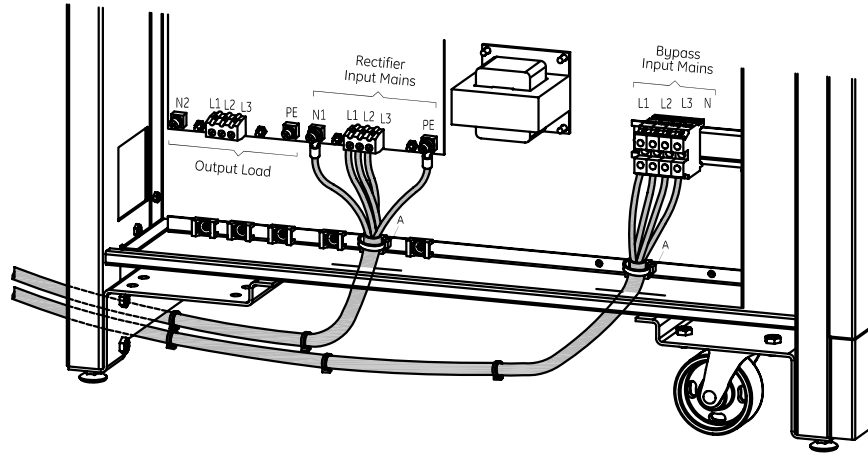
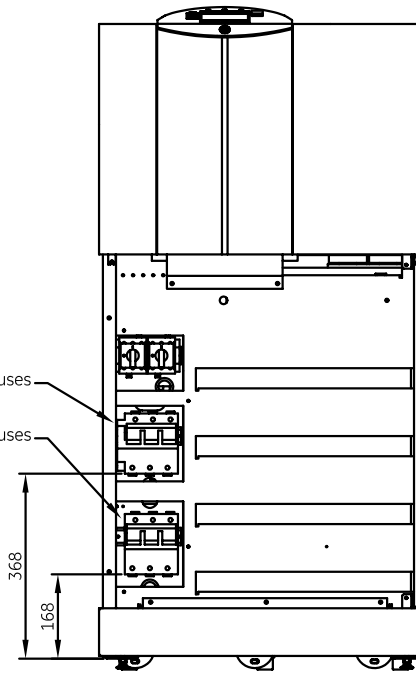


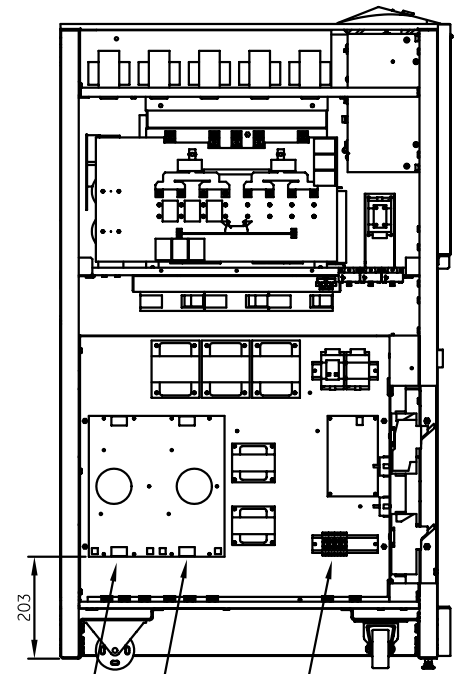
DETAIL TERMINAL BLOCK CONN.



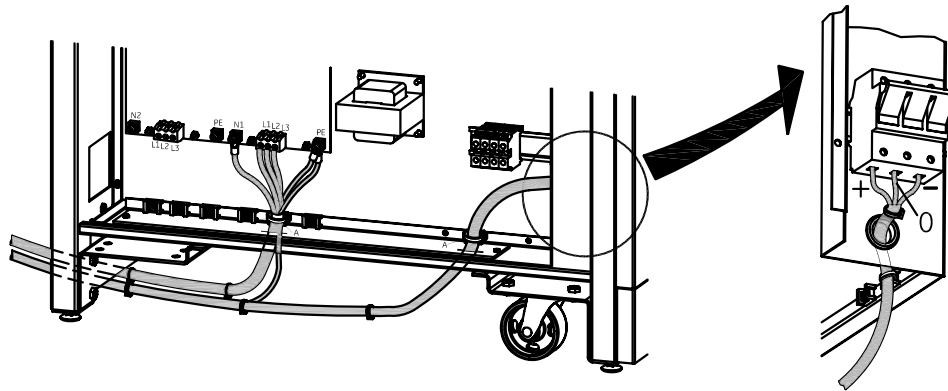
FRONT VIEW WITH SAFETY PANEL REMOVED



LEFT VIEW WITH LATERAL SIDE COVER REMOVED



DETAIL DC (BATTERY) CONN.



Rectifier input fuses  
DC (battery) fuses

Load output terminal block  
Rectifier Input terminal block  
Bypass Input terminal block

NOTE:  
1) DIMENSIONS ARE IN MM

MAX CABLE DIA. FOR TERMINAL BLOCK REFER TO MANUAL FOR TORQUE SPECS					
kVA	RECTIFIER INPUT	BYPASS INPUT	DC INPUT	AC OUTPUT	PE
30	16 mm <sup>2</sup>	16 mm <sup>2</sup>	25 mm <sup>2</sup>	16 mm <sup>2</sup>	16 mm <sup>2</sup>
40	16 mm <sup>2</sup>	16 mm <sup>2</sup>	25 mm <sup>2</sup>	16 mm <sup>2</sup>	16 mm <sup>2</sup>

				Name	Date
			Design.	ggrassi	27.02.08
			Checked	---	---
Condition	Revision	Date	Name	Status	---

TERMINAL DETAIL

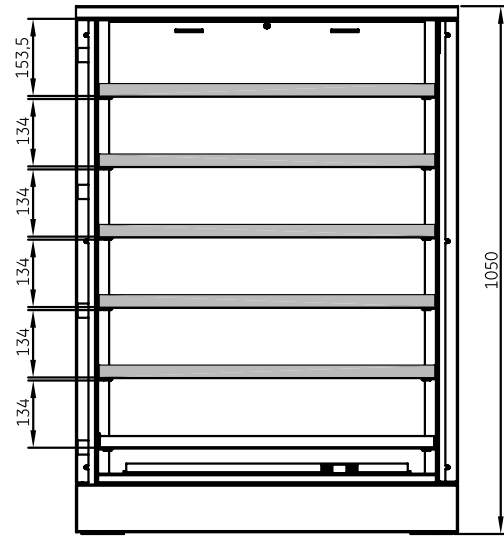
GE Consumer & Industrial SA  
CH-6595 Riazzino Locarno

Digital Energy™ LP Series  
30-40kVA CE

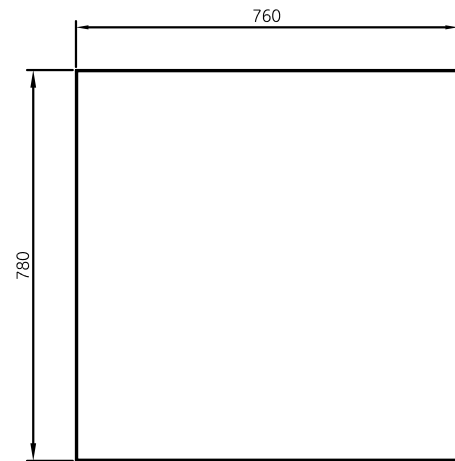
REPLACE	LP Series	
SERIES	5	332 353
		Pag. 1
		6 Pag.



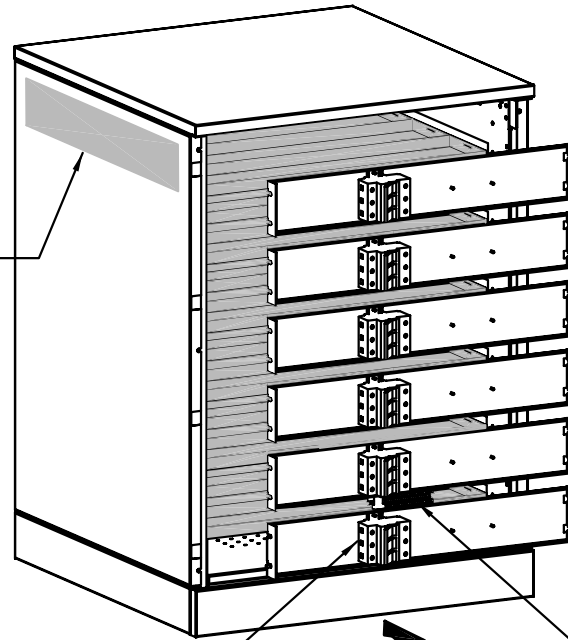
FRONT VIEW WITH SAFETY  
PANELS REMOVED



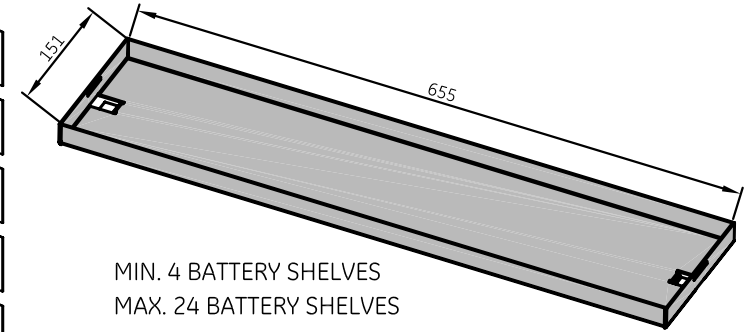
TOP VIEW



HEAT REJECTION



Fuses protection

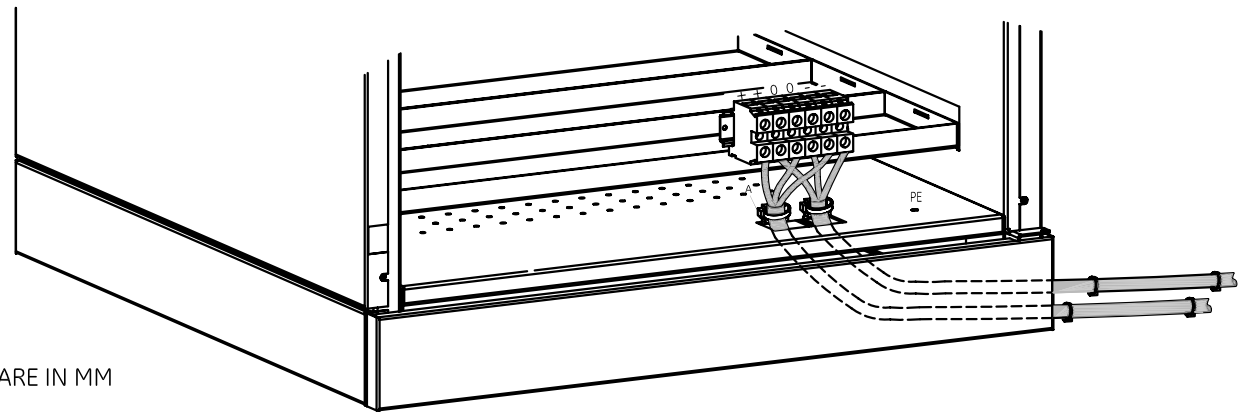


MIN. 4 BATTERY SHELVES  
MAX. 24 BATTERY SHELVES

Terminal block

BATTERY ACCESS  
ONLY FROM THE  
FRONT SIDE

DETAIL TERMINAL BLOCK CONN.



NOTE:  
1) DIMENSIONS ARE IN MM

Condition	Revision	Date	Name	Status	---	---
			Design	ggrassi	27.02.08	
			Checked	---	---	

EXTERNAL BATT. CAB.



GE Consumer & Industrial SA  
CH-6595 Riazzino Locarno

Digital Energy™ LP Series  
30-40kVA CE

REPLACE

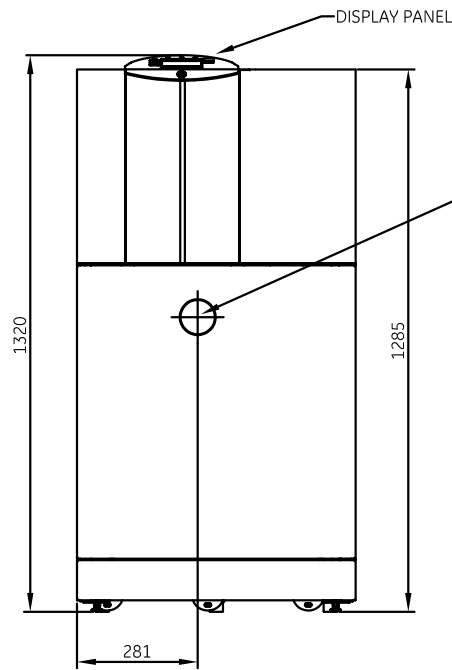
SERIES 5

LP Series

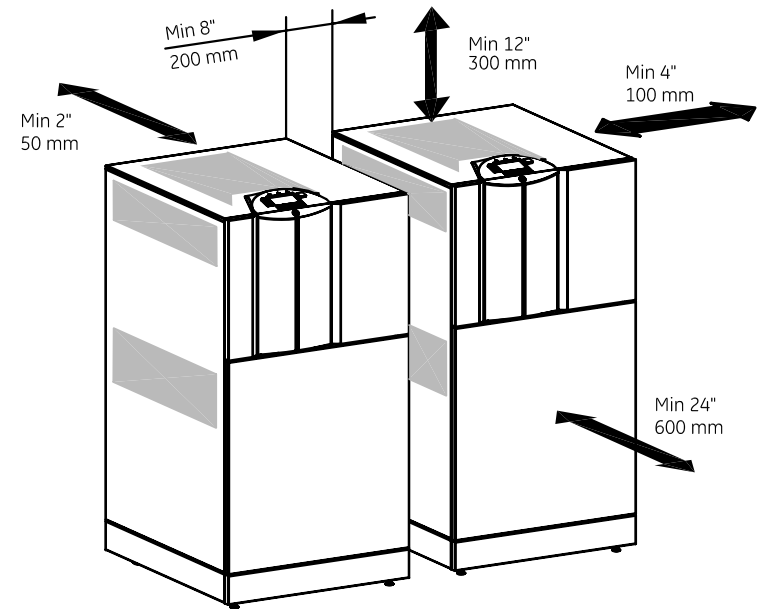
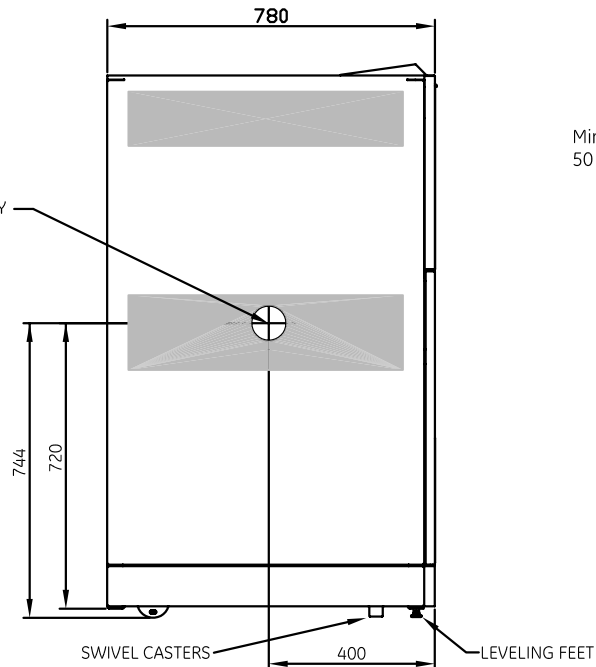
332 353

Pag. 3  
6 Pag.

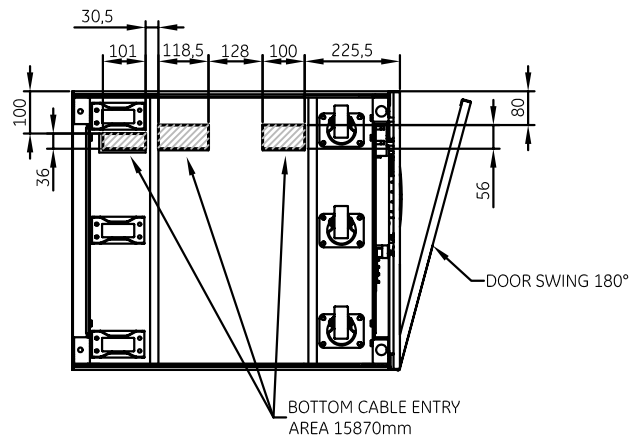
FRONT VIEW



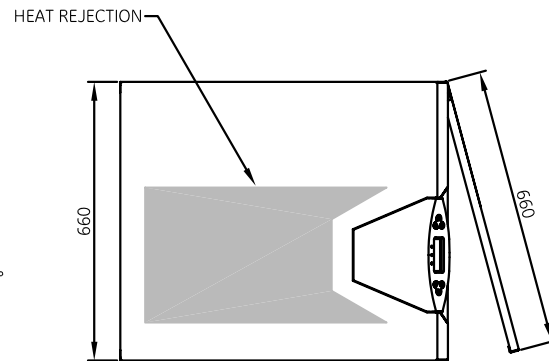
SIDE VIEW



BOTTOM VIEW



TOP VIEW



NOTE:

- 1) DIMENSION ARE IN MM
- 2) OPERATING TEMP. RANGE:  
UPS: 0°C-40°C (32°F-104°F)  
BATT.: 20°C-25°C (68°F-77°F)
- 3) FRONT AND SIDE ACCESS REQUIRED FOR SERVICE AND MAINTENANCE
- 4) DO NOT TILT UPS MORE THAN 10°
- 5) CENTER OF GRAVITY DIMENSIONS IS ESTIMATED. THE REAL CENTER OF GRAVITY IS ON THE CARTON PACKAGE

kVA	WEIGHT	HEAT REJECTION	FLOOR LOADING
30	195 kg	2.37 kW	379 kg/m <sup>2</sup>
40	200 kg	2.98 kW	389 kg/m <sup>2</sup>

Condition	Revision	Date	Name	Status	---	---
			Design	ggrassi	27.02.08	
			Checked	---	---	

MECHANICAL OUTLINE

GE Consumer & Industrial SA  
CH-6595 Riazzino Locarno

Digital Energy™ LP Series  
30-40kVA CE

REPLACE	LP Series
SERIES 5	332 353
	Pag. 4
	6 Pag.

1

2

3

4

5

6

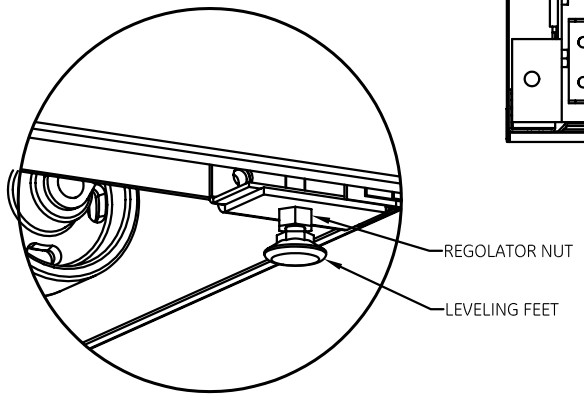
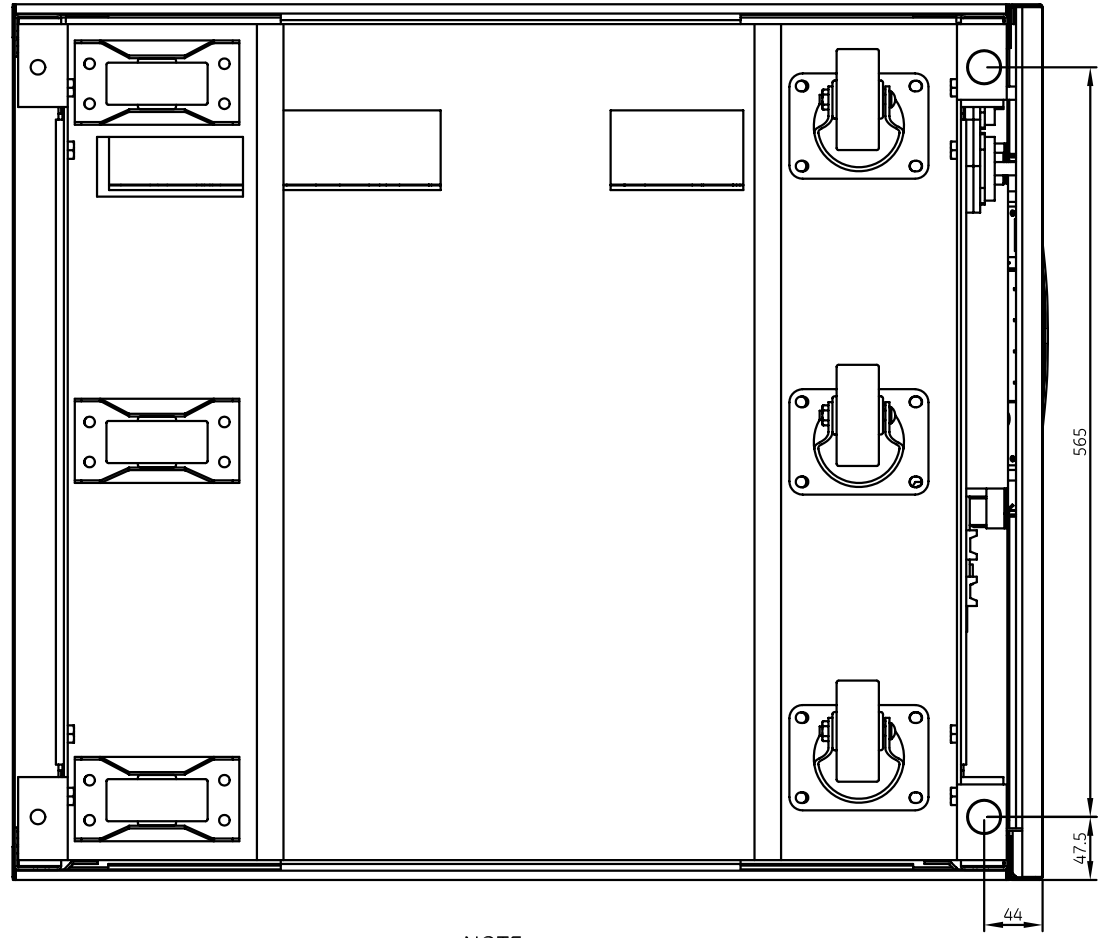
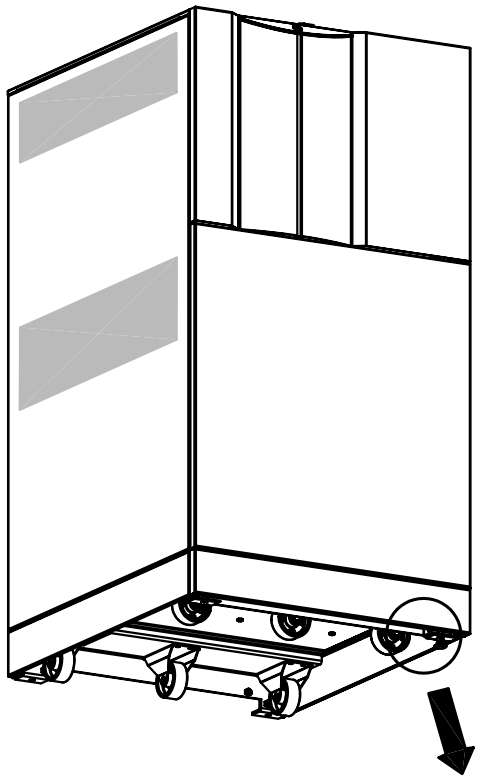
7

8

BOTTOM VIEW SHOWING ANCHORING PROVISIONS

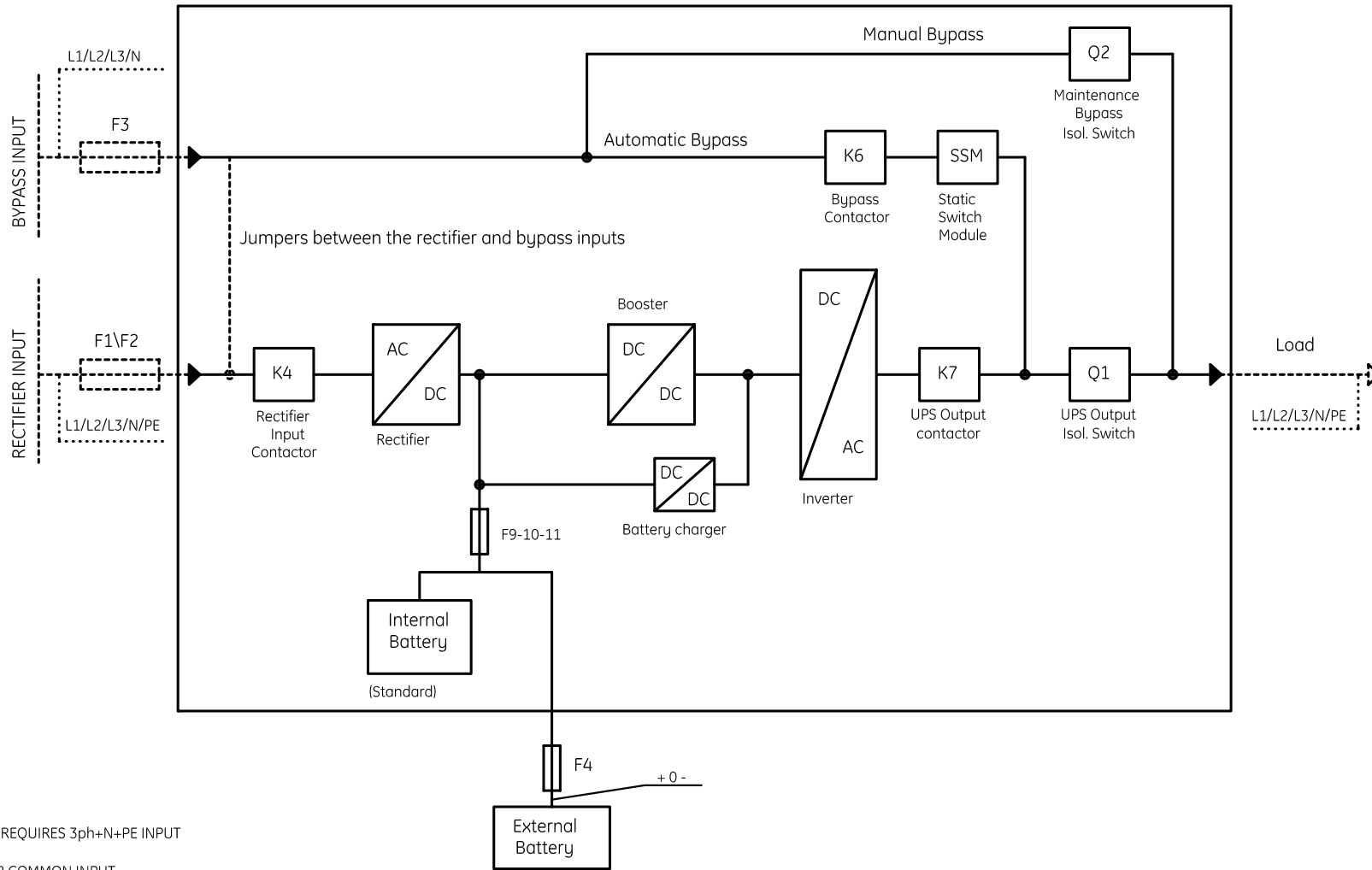
A  
B  
C  
D  
E  
F

A  
C  
D  
E  
F



- NOTE:
- 1) DIMENSIONS ARE IN MM
  - 2) MAKE USE THE LEVELING FEET IF DESIRE TO BLOCK THE UPS
  - 3) THE UPS WEIGHT REMAINS ON THE WHEELS AND NOT ON THE LEVELING FEET

		Name		Date		<b>ANCHORING DETAIL</b>		GE Consumer & Industrial SA CH-6595 Riazzino Locarno		Digital Energy™ LP Series		REPLACE		LP Series	
		Design		27.02.08						SERIES		5		332 353	
		Checked		---		All rights for transmission , duplicating or reprinting reserved		CH-6595 Riazzino Locarno		30-40kVA CE		7		6 Pag.	
Condition	Revision	Date	Name	Status	---	---	1	2	3	4	5	6	7	8	



**NOTE:**

- 1) BYPASS INPUT REQUIRES 3ph+N+PE INPUT
- 2) F1 IS ONLY FOR COMMON INPUT  
F2 AND F3 IS ONLY FOR SEPARATE INPUT
- 3) UPS IS CONFIGURED FOR SINGLE INPUT AS STANDARD. UPS MAY BE CONFIGURED FOR DUAL INPUT BY REMOVING THE JUMPERS BETWEEN THE RECTIFIER AND BYPASS INPUTS. SEE INSTALLATION MANUAL FOR DETAILS.
- 4) BYPASS AND RECTIFIER INPUT MUST BE CONNECTED WITH CLOCKWISE PHASE ROTATION

Fuses (gL) or Circuit Breakers rating for AC input 3x380/220V, 3x400/230V, 3x415/240V				
UPS MODEL	AC INPUT	AC INPUT RECTIFIER	AC INPUT BYPASS	DC INPUT
	F1	F2	F3	F4
LP 33 SERIES / 30 kVA	3 x 63 A	3 x 63 A	3 x 50 A	3 x 80 A
LP 33 SERIES / 40 kVA	3 x 63 A	3 x 63A	3 x 63 A	3 x 80 A

				Name	Date
			Design.	aggrassi	27.02.08
			Checked	---	---
Condition	Revision	Date	Name	Status	---

**ELECTRICAL DETAIL**



GE Consumer & Industrial SA  
CH-6595 Riazzino Locarno

Digital Energy™ LP Series  
30-40kVA CE

REPLACE

SERIES 5

LP Series

332 353

Pag. 6

6 Pag.

All rights for transmission, duplicating or reprinting reserved